

Client _____ Quantity _____
 Project _____ Position _____

Pratika Kompact oven

Model: FDEK0623PWA Cod: NP01063021007



Technical data

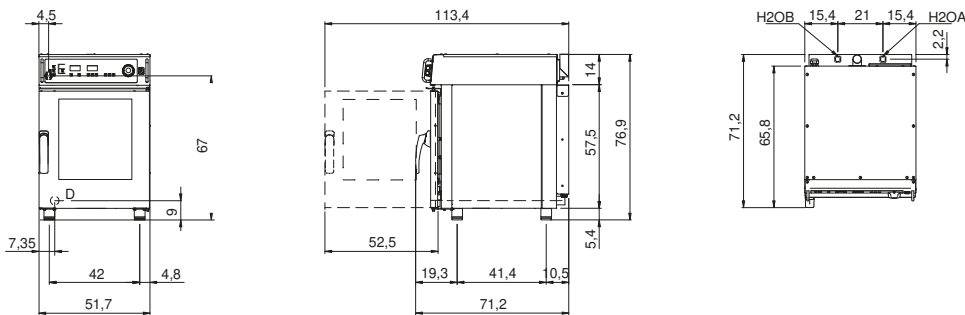
Number of pans:	6
Pans size (mm):	GN 2/3
Tray centre distance (mm):	60
Number of fans:	1
Fan speed:	2
Dimensions (mm):	517 x 715 x 770
Net weight (kg):	68
Volume (m3):	0,2834
Chamber size (mm):	380 x 373 x 380
Electric power (kW):	6,4
Voltage (V):	380-415
Power supply (A):	11
Phases:	3N
Cable section (mmq):	5G1,5
Frequency (Hz):	50-60
Cold water connection:	3/4"
Cold water pressure (bar):	Max. 5 bar
Softened water inlet:	3/4"
Drain size (mm):	40
Packing dimensions (mm):	560 x 795 x 940
Chamber size (mm):	380 x 373 x 380
Gross weight (kg):	75
Gross volume (m3):	0,4184

Features

Oven type:	Combi
Control:	Programmable
Functions:	Convection cooking, steam, mixed cooking, multilevel, phases cooking, core probe and Delta T cooking
Washing:	Standard - Open Circuit
Detergent:	Liquid
Steam:	Direct
Steam management:	Time management
Temperature range:	30°C - 280°C
Door:	Hinged door
Fan:	Made of AISI 304 stainless steel - autoreverse
Range timer:	1'-240'
Flue:	Automatic
Recipes:	Standard

Programmable digital electric combi steamer, with automatic washing system. Door with left handle. Capacity 6 trays GN 2/3 version compact. Cooking chamber with rounded corners, welded without visible welding to allow a perfect cleaning. Adjustable height of the feet. Removable Gastronorm grid shelves GN2/3 made in steel wire, with distance between trays of 30-60 mm. Door with air channel for the external glass ventilation, which further limits the temperature on the external surface. Door handle in plastic material, highly resistant to shocks and temperatures. Silicone gasket inserted in the front of the chamber, with maximum seal capacity, avoiding temperature drops. Gutter for the collection of liquid, connected to the drain. Heating through high efficiency coated heating elements. Timer from 1' to 120' (plus infinite position). Power-adjusting control humidifier. Temperature control in the cooking chamber from 50 °C to 280 °C. Double speed auto-reverse fan. Programmable air-valve opening. Wide air flow channels of the chamber that allows a perfect cooking uniformity, both in conditions of scarce and full load. Folding opening of the internal glass. Digital control panel placed above the oven. Up to 99 programs can be saved, with the possibility of sequencing up to 3 cooking phases for each cycle. Possibility of cooking in convection/mixed mode or Steam. Possibility of cooking by setting the time or using a core probe and Delta T. (optional probe). Safety thermostat in the cooking chamber to avoid dangerous high temperatures beyond 350°C. Water inlet for the humidifier control. Internal lighting positioned on the left side of the cooking chamber. Electric power 6,3 kW - 380-415V 50/60 Hz.

Technical draw



E: Electric connection

D: Drain for water

H2OA: Water inlet

H2OB: Softened water inlet